



VAL Watering
Systems



MINI TIME SAVER VM100

Supplemental water source for day
old beak-trimmed broilers

NEW



The Patented Time Saver (VM100) eliminates carrying and storing supplemental drinkers. Snaps on to the metal support pipe right above the Val stainless steel nipple drinkers. Important - chicks drinking from the VM100 roll their heads back to swallow and without moving can drink out of the nipple drinker above, preparing them for after 5 days when the 2 foot long sanitary mini drinker will be rotated 180° up and out of the way, stored there through growth. (Suggested density, 700 birds per drinker)

- No carrying or storing problems with VM100 Time Saver.
- No problems of birds pushing litter under bowl causing flooding.
- No springs to replace.
- No seals to replace, just rotate bumper for new valve shut off.
- No readjusting drinker water level each time for new flock start.
- No problems after drinker is rotated out of use, birds drink out of Mini Time Saver and stainless steel nipples right above without moving during first few days.
- No easier installation available, just snaps on to existing VAL water line.
- No problems with water level, rotate numbered float to desired water height.
- No rust or corrosion, made of tough durable plastic.
- No easier or more sanitary way to start smaller less active day old beak trimmed broilers.



VAL Watering Systems



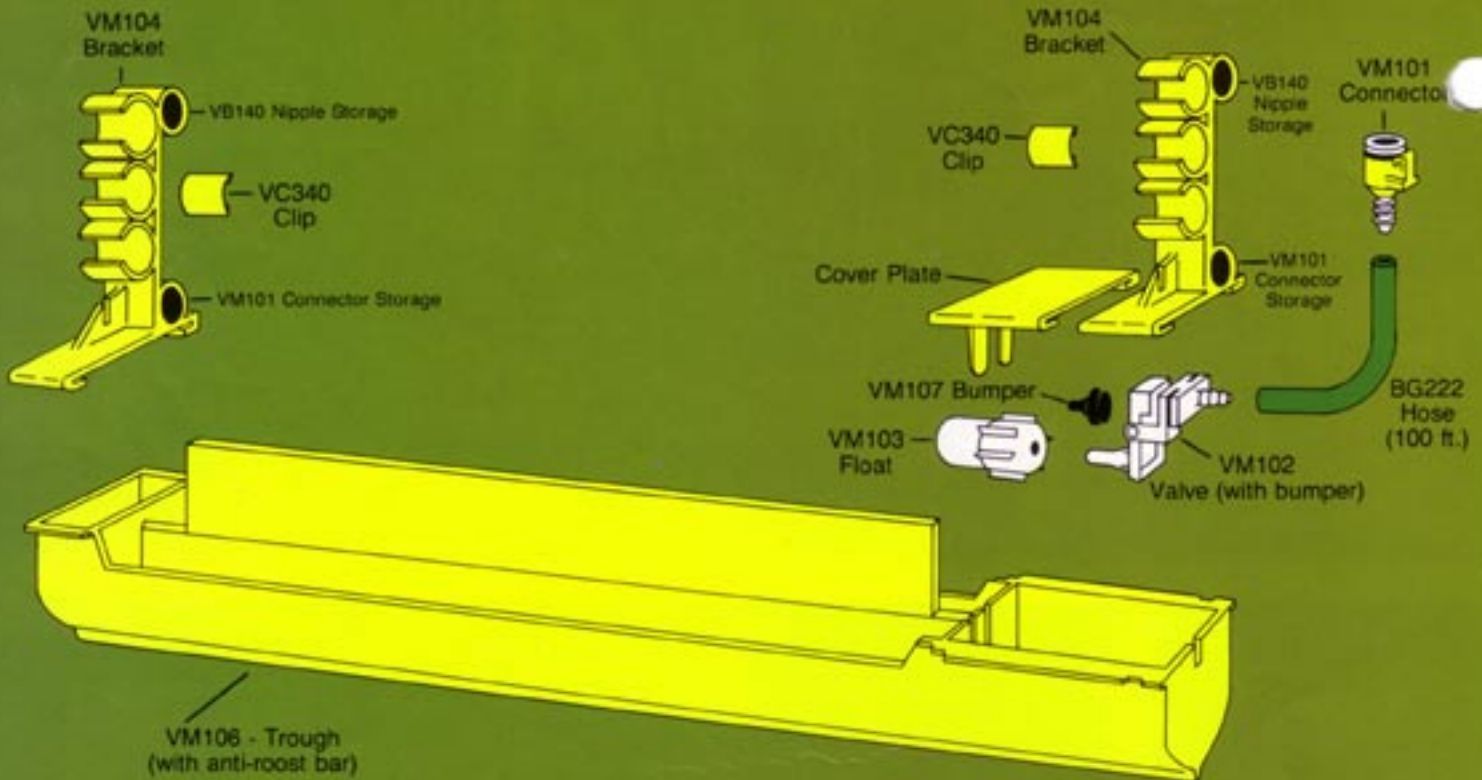
DOWN POSITION

Day old chicks drinking from the Time Saver, roll their heads back to swallow and without moving can drink out of the nipple above. Note: VG140 nipple is stored in holding bracket VM104.



UP POSITION

Carrying and storing are not necessary because the units rotate 180° up and out of the way through grow-out. Note: VM101 Connector is stored in holding bracket VM104.



VAL Watering Systems

Box 958 • Lancaster, PA 17608 USA

(717) 392-3978 • FAX (717) 392-8947